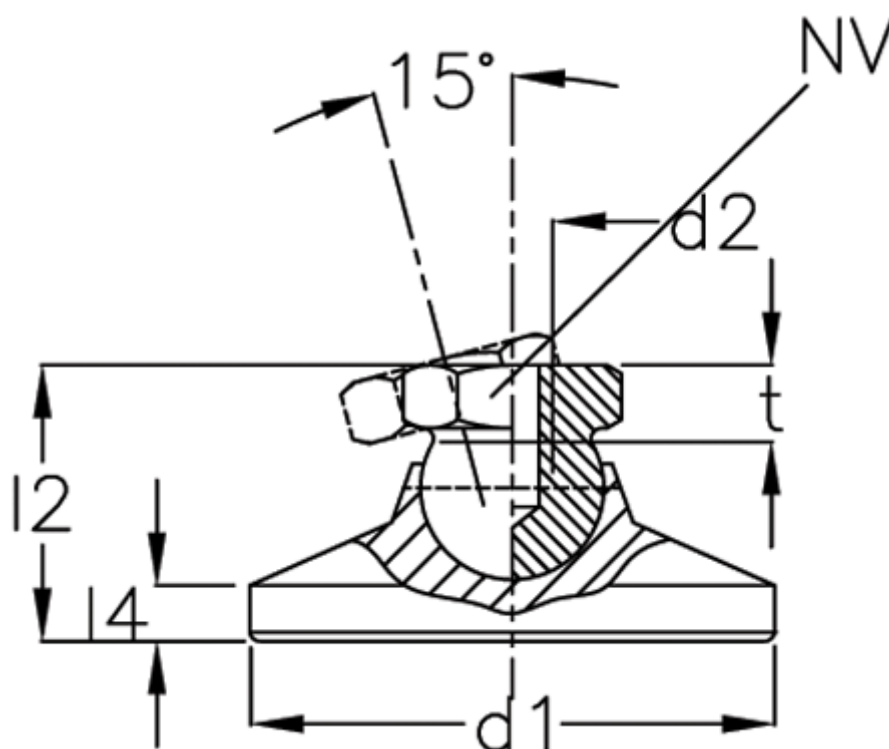


# Data Sheet



Article number: 20343125M6KR  
Description: E+G levelling foot  
GN 343.1-25-M6-KR

## Measures



|                  |       |
|------------------|-------|
| d1               | = 25  |
| d2               | = 6   |
| l2               | = -   |
| l4               | = -   |
| NV               | = 12  |
| Static load (kN) | = 7.5 |
| t min            | = 9   |